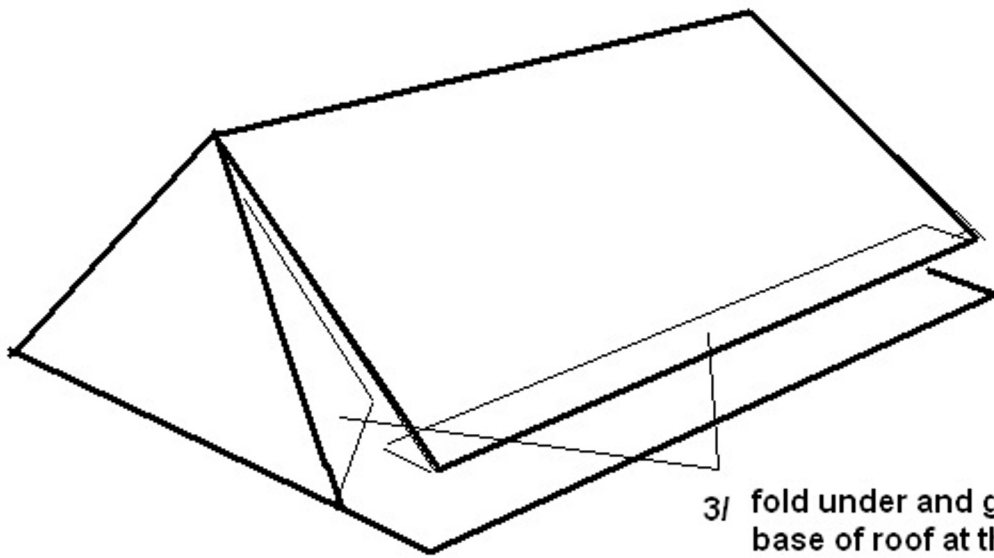
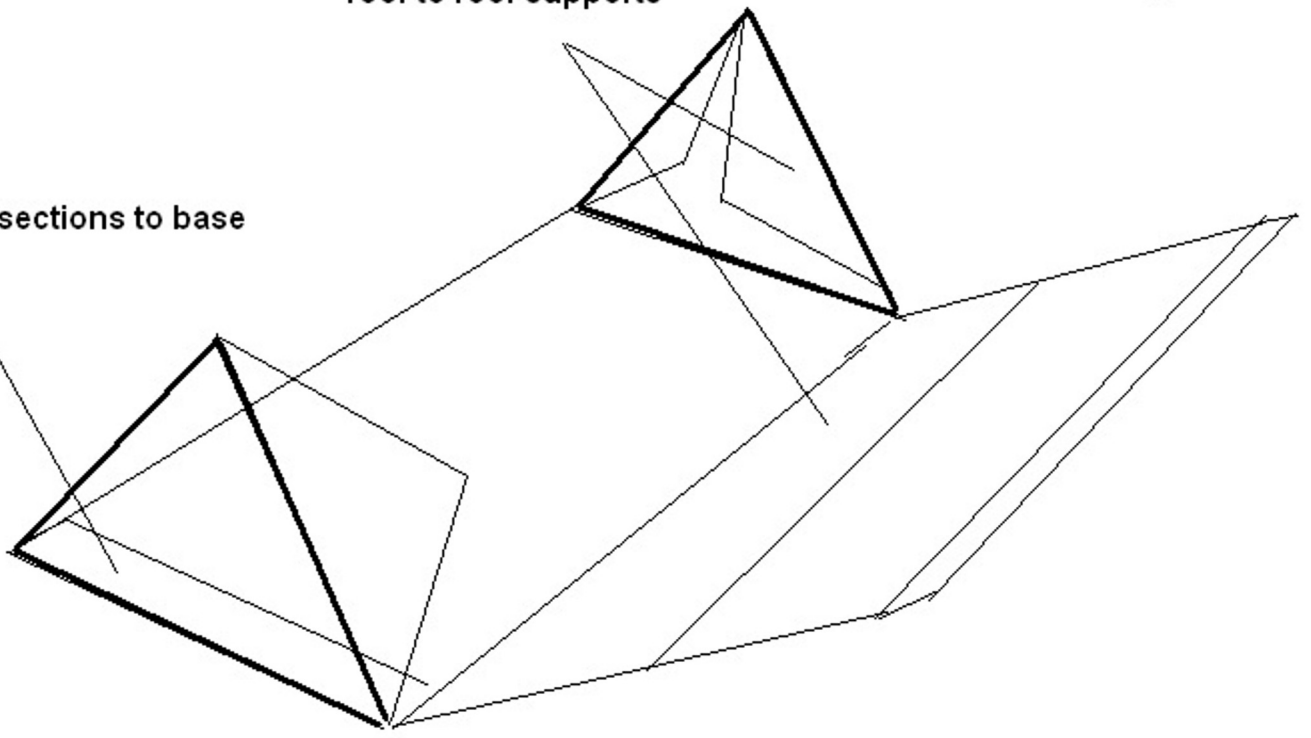


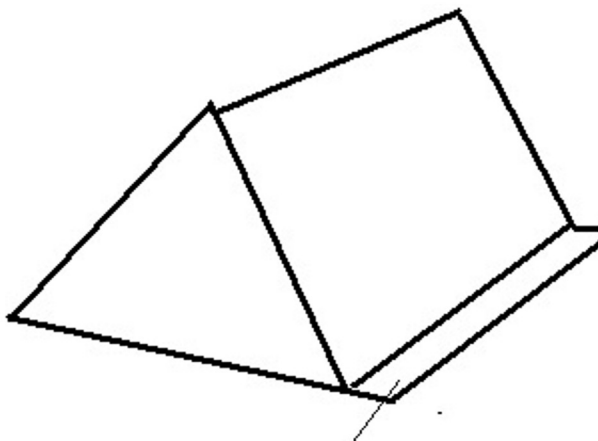
Roof assembly Main House

2/ glue one side of roof to roof supports

1/ glue end sections to base of roof



3/ fold under and glue to base of roof at the same time glue end roof supports



4/ trim last