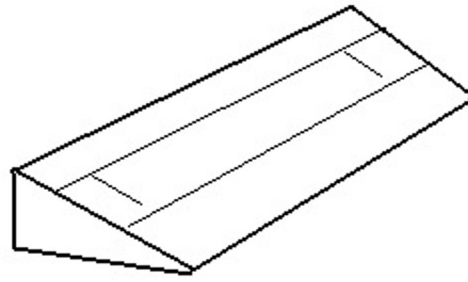
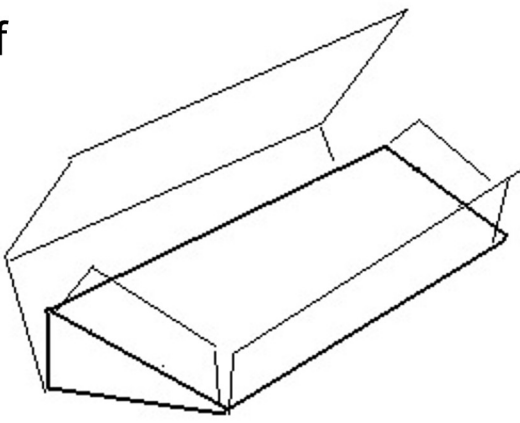
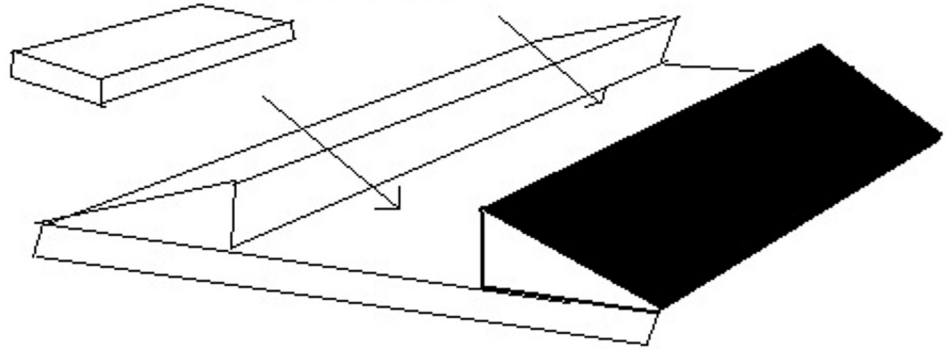


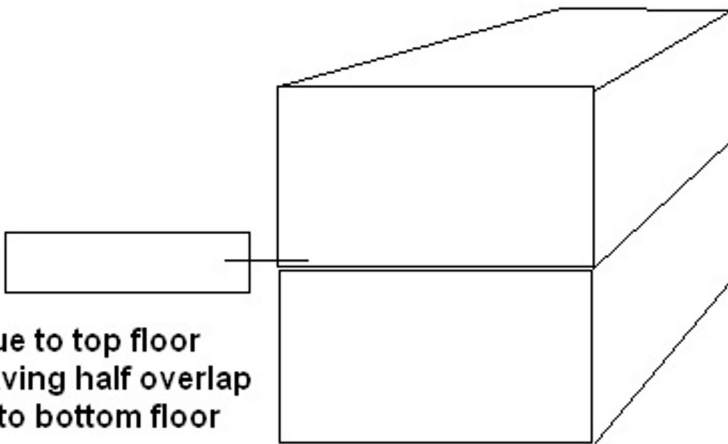
## Roof



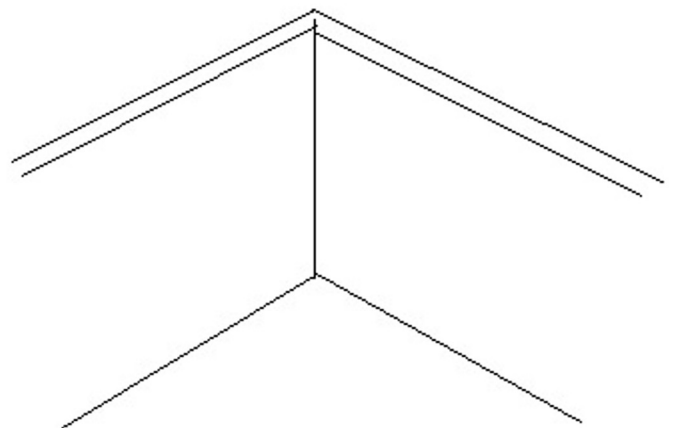
2 skylights one  
at each end



Glue strips onto ends of building to lock one floor to another.



Glue to top floor  
leaving half overlap  
onto bottom floor



Strips of card are supplied for you to configure room divisions to your preference

Full back up service - if you make a mistake and need a part., just e-mail me at [tonyatthewillows@aol.com](mailto:tonyatthewillows@aol.com). I will post the part to you for minimum fee, or email it to you so that you may print it off yourself (free)