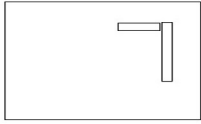


# Instructions for Embassy building

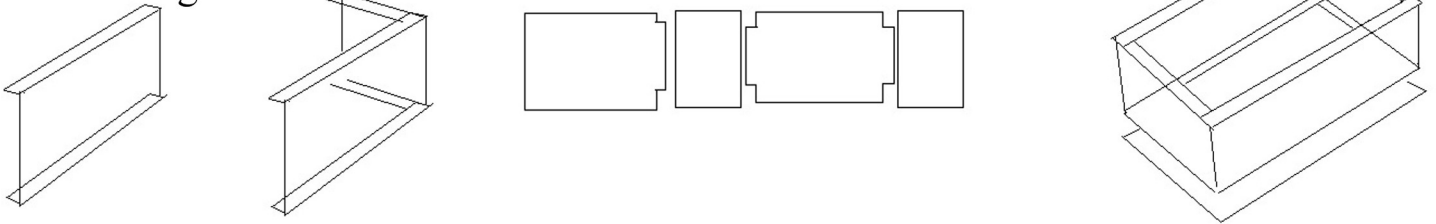
Constructing this model, it is imperative that each floor of the building is square.  
The high tec' device I use is two pieces of wood glued on my desk. Primitive but effective.



Most of my models are built using a glue gun. I find it saves time but if you havn't positioned the pieces correctly then you have a problem. Well not if you have a hot air gun (or the wifes hair dryer). I find it very useful when I need to re-position a piece.

**All floors are not the same height they decrease in size the closer they get to the top**

## Building the walls

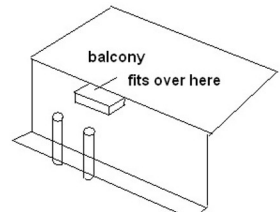


Once you have a box shape, glue to the floor base, when dry trim the excess.  
There are separate floor sections for the ground floor and base of the roof.

## Ground floor Pillars

Build the square box shape that fits onto the top of the pillars and glue to the building as shown. making sure it is above the door and level with the top of wall.

Measure and shape the 4 pillars and glue into place.



## Building the Balcony's

Glue A to edge of ground floor, slide over top of pillars

Glue left and right balcony's to ground floor

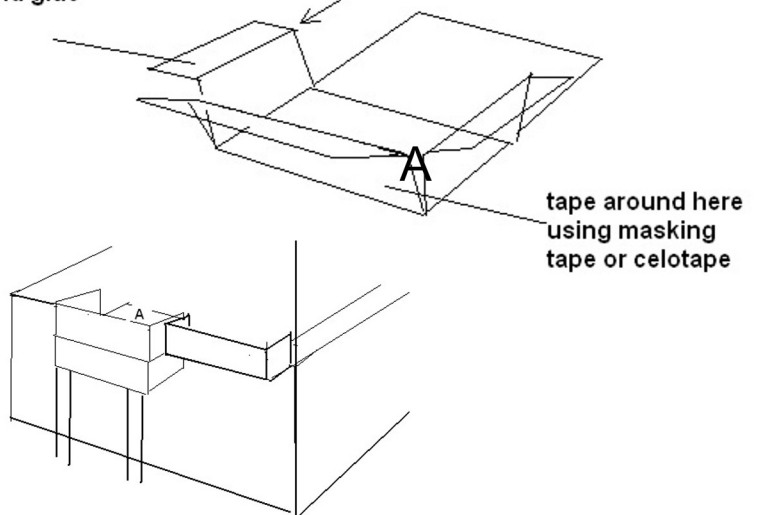
Build ground floor bay and glue to back of ground floor positioning over windows right side

Build rectangular balcony and glue onto bay.

Build 2nd story bay and glue balcony to the top

once taped fold top down and glue

score line



ground floor  
back right

